

CONSTIX™ Swab, SP-10N

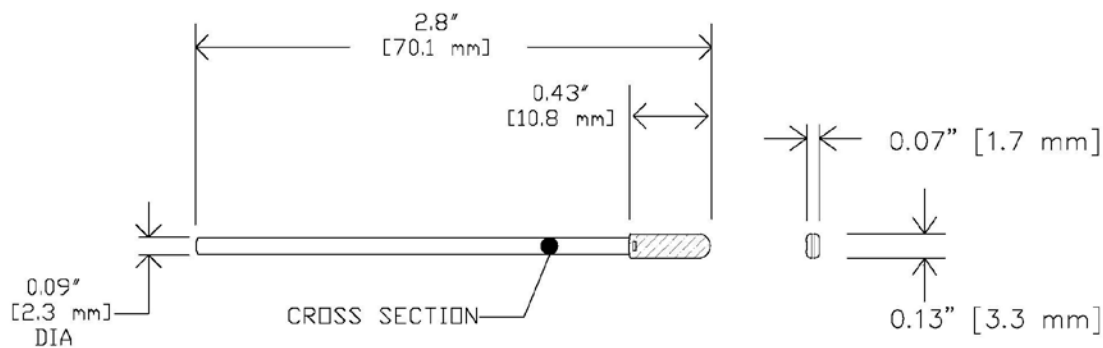
Nonwoven sealed polyester

Description

CONSTIX SP-10N sealed polyester swab consists of 100% polyester non-woven fabric that's thermally bonded to a flex-tip polypropylene handle. The non-woven polyester head provides enhanced sorbency for non-aqueous solutions. The polyester head is constructed without adhesives or binders, which makes the swab compatible with most common solvents, such as alcohols and ketones. The polypropylene handle has a thin, flexible tip that enables access to very small areas and components.

Technical Data

Swab head material	Spunlace polyester
Swab handle material	Polypropylene
Construction	Thermally sealed and attached



Notes:

- 1) Data shown are typical values and should not be used as product specifications.
- 2) Valid product comparisons may only be obtained through side-by-side testing in the same test facility, under similar conditions.
- 3) Current and/or comparison data may be available. Please contact a Contec sales representative for details.

Revision date: 02/23/17



Copyright © 2017 Contec, Inc. All rights reserved.

North America
 P.O. Box 530
 Spartanburg, SC 29304 USA
 Phone: +1-864-503-8333
 www.contecinc.com

Europe
 ZI du Prat – RP 3707
 56037 VANNES Cedex
 FRANCE
 +33 297 437 698

China
 No.17 Longyun Road
 Suzhou 215024
 CHINA
 + 86-512-6274 4050