

CONSTIX[®] Swab, SP-2

Sealed knitted polyester swab

Description

The SP-2 is a sealed polyester swab consisting of 100% knit polyester fabric thermally bonded to a Delrin[®] (acetal) handle.

The SP-2 contains no adhesives and is made using cleanroom wiper grade polyester fabric for the head material. The acetal handle provides good rigidity and strength, while allowing access to very small areas and components.

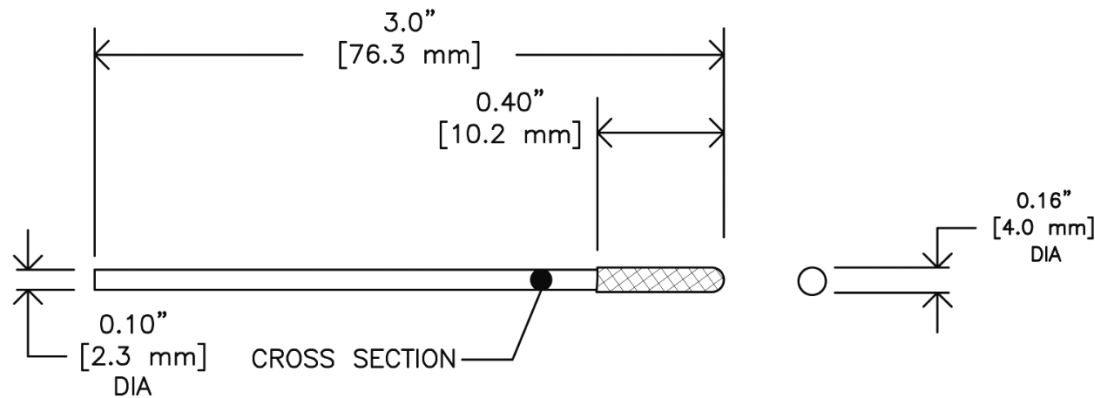
The sealed polyester head provides the lowest contamination risk of any other type of swab.

Features and Benefits

- Extremely low levels of particles
- Virtually fiber-free
- Low extractable residue
- Strong and durable
- Excellent solvent and chemical resistance

Technical Data

Swab head material	100% knitted polyester
Swab handle material	100% virgin acetal (Delrin)
Construction	Thermally sealed and attached



Notes:

- 1) Data shown are typical values and should not be used as product specifications.
- 2) Valid product comparisons may only be obtained through side-by-side testing in the same test facility, under similar conditions.
- 3) Current and/or comparison data may be available. Please contact a Contec sales representative for details.

Revision date: 08/05/10



P.O. Box 530
Spartanburg, SC 29304 USA
Phone: +1-864-503-8333
Fax: +1-864-503-8444
Toll free US, Canada, PR: 1-800-289-5762

Customer Service
United States: 1-866-855-4682
Europe/Asia: +1-864-699-8257
e-mail: wipers@contecinc.com
www.contecinc.com