



# CONSTIX™ Swab, SP-4

## Sealed knitted polyester swab

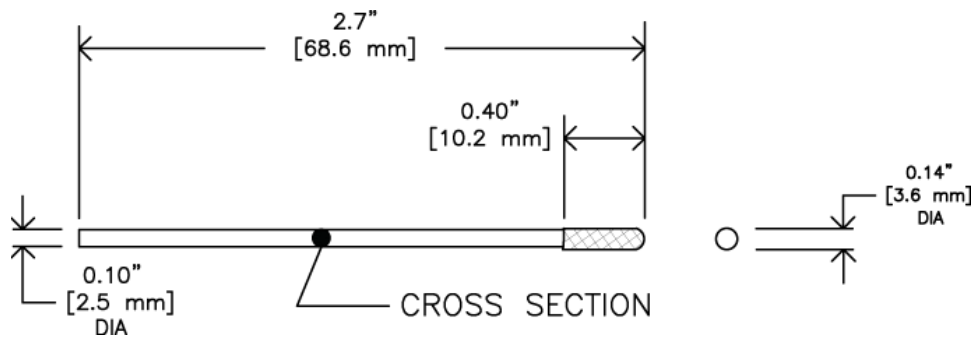
### Description

The SP-4 is a sealed polyester swab consisting of 100% knit polyester fabric thermally bonded to a Delrin® (acetal) handle. The strong and durable SP-4 contains no adhesives and is made using cleanroom wiper grade polyester fabric for the head material. Contains extremely low levels of particles, low extractable residue, and is virtually fiber-free. The acetal handle provides good rigidity and strength, while allowing access to very small areas and components. The sealed polyester head provides the lowest contamination risk of any other type of swab. Excellent solvent and chemical residue.

### Technical Data

Swab head material	100% knitted polyester
Swab handle material	100% virgin acetal (Delrin)
Construction	Thermally sealed and attached

Attribute; (units)	Value	Test Method
Non-volatile residue, NVR		Contec method
In deionized water; (mg/swab)	0.012	
In isopropanol; (mg/swab)	0.028	
Particles ≥ 0.5µm; (per swab)	1500	Contec method
Fibers > 100µm; (per swab)	0.1	Contec method
Surface resistivity of handle; (x 10 <sup>8</sup> ohms/sq)	N/A	Contec method



### Notes:

- 1) Data shown are typical values and should not be used as product specifications.
- 2) Valid product comparisons may only be obtained through side-by-side testing in the same test facility, under similar conditions.
- 3) Current and/or comparison data may be available. Please contact a Contec sales representative for details.

Revision date: 03/29/11



Copyright © 2011 Contec, Inc. All rights reserved.

**North America**  
P.O. Box 530  
Spartanburg, SC 29304 USA  
Phone: +1-864-503-8333  
www.contecinc.com

**Europe**  
ZI du Prat – RP 3707  
56037 VANNES Cedex  
FRANCE  
+33 297 437 690

**China**  
No.17 Longyun Road  
Suzhou 215024  
CHINA  
+ 86-512-6274 4050