



CONSTIX™ Swab, SP-5

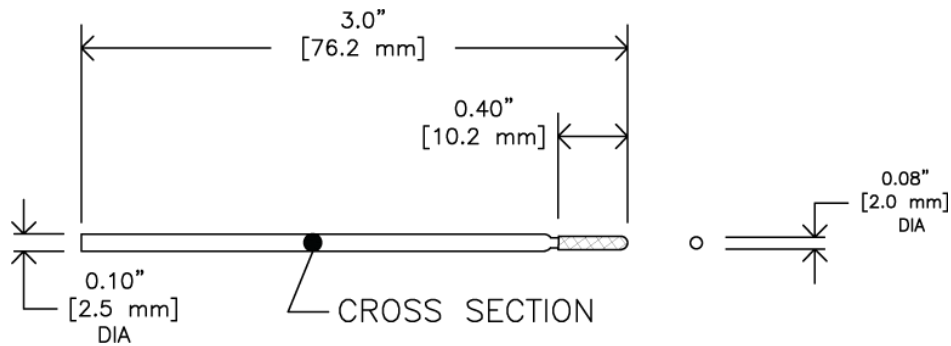
Sealed knitted polyester swab

Description

The SP-5 is a sealed polyester swab consisting of 100% knit polyester fabric thermally bonded to a Delrin® (acetal) handle. The SP-5 contains no adhesives or binders. The swab head is made from cleanroom wiper polyester fabric that is resistant to most solvents and many acids and bases. The acetal handle has a thin, flexible tip that enables access to very small areas and components. The sealed polyester head provides the lowest contamination risk of any other type of swab. Durable, absorbent, and features extremely low particulate and residue levels.

Technical Data

Swab head material	100% knitted polyester
Swab handle material	100% virgin acetal
Construction	Ultrasonically sealed



Notes:

- 1) Data shown are typical values and should not be used as product specifications.
- 2) Valid product comparisons may only be obtained through side-by-side testing in the same test facility, under similar conditions.
- 3) Current and/or comparison data may be available. Please contact a Contec sales representative for details.

Revision date: 03/29/11



Copyright © 2011 Contec, Inc. All rights reserved.

North America
P.O. Box 530
Spartanburg, SC 29304 USA
Phone: +1-864-503-8333
www.contecinc.com

Europe
ZI du Prat – RP 3707
56037 VANNES Cedex
FRANCE
+33 297 437 690

China
No.17 Longyun Road
Suzhou 215024
CHINA
+ 86-512-6274 4050