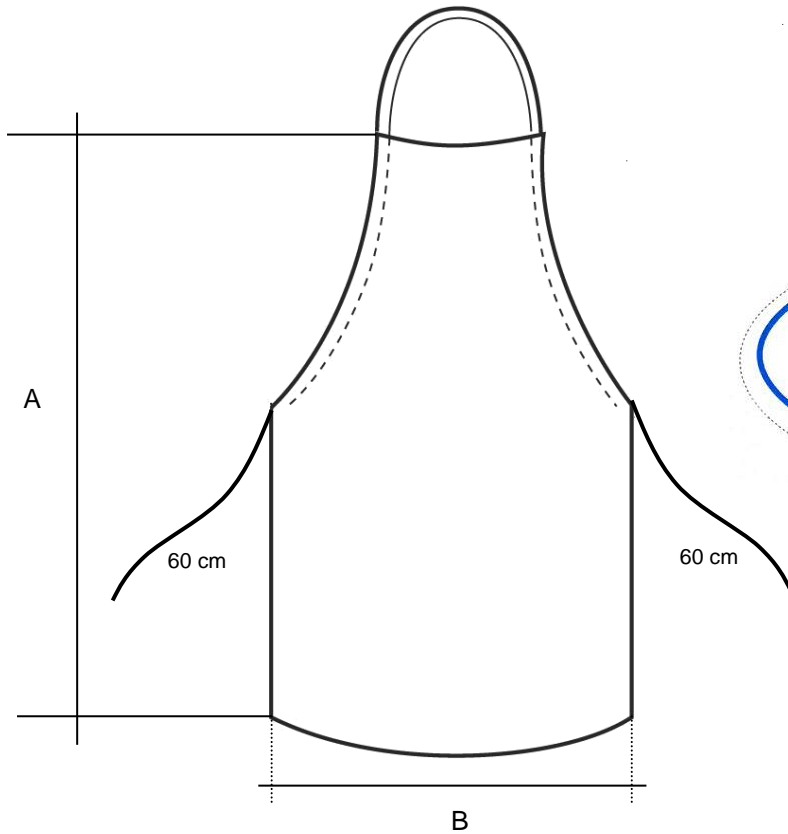


CODE	DESCRIPTION:
55403003	SPRAYGUARD APRON

Picture model and size



Logo label left chest



	M	L	XL
A	125	135	150
B	130	130	130

carton label

Bag size label



18034058067417

BIANCO - BLANC - WHITE - WEISS

-GREMBIULE AVVOLGENTE
-ENCICLING BUFFANT APRON
-TABLIER ENVELOPPANTE
-EINWICKELTE SCHUERZE

MADE IN

55403003

100 PCS 3/L LOT. 0000000



INDUTEX

SprayGuard®

Model: GREMBIULE AVVOLGENTE

Date: 02/15 **CE 0624**

Protective Clothing Category III


EN 14126:2003


EN 1149-1

LOT


EN 14805:2005


SIZE L



INDUMENTO MONOUSO - DO NOT RE-USE
VETEMENT A USAGE UNIQUE - EINWEG-KLEIDUNGSSTUECK
INDUMENTO MONO DESECHABLE

© Indutex registered trademark

Emissione: RS

Verifica: PRO

Verifica: CQ

Approv: AU