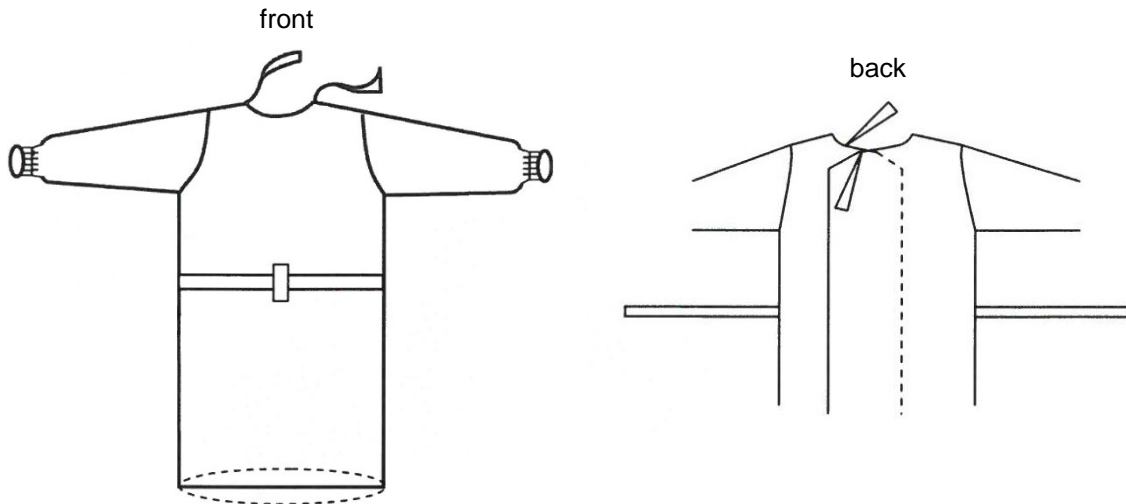


CODE S5402053	DESCRIPTION: CLEANGUARD LABCOAT + JERSEY size L 1. Insert a labcoat code 55402053 into the bag. 2. Close the bag with appropriate machine. 3. Labelling. 4. 25 pieces per box (protected by a polythene bag). 5. Sterilization BETA radiation.
------------------------------------	--

Picture model and size



Bag Label

Box Label

STERILINE DISPOSABLE

CleanGuard[®]
BIANCO - BLANC - WHITE - WEISS

- CAMICE LACCI AL COLLO E VITA - MAGLINA AI POLSI
 - BLOUSE LACETS AU COU ET TAILLE - POIGNETS TRICOT
 - GOWN LACETS AT NECK AND WAIST - JERSEY WRISTS
 - KITTEL BAENDE AN DEN KRAGEN UND TAILLE - JERSEY HANDGELENKE
 SIZE 3/L

STERILE BETA

●

RED / ORANGE COLOR = IRRADIATED
UNI EN ISO 11140-1

COD.S5402053

<p>ART. I.D. 1340</p> <p>Lotto Ch.-B. Batch no. No. de lot</p>	<p>Data ster. Steril.-Dat. Steril. date</p>	<p>Scadenza Expiry Peremption Verfall</p>
---	---	---

Contenuto sterile, fino a che la confezione resta intatta. Monouso.
 Inhalt steril, solange Packung unversehrt. Für einmaligen Gebrauch.
 Contenido estéril, siempre que el envase sea intacto, para sólo uso.

INDUTEX S.p.A.
Via San Francesco n°8/10 - 20011 CORBETTA - MI
Tel. 02/972.387.11 Fax 02/972.387.99

STERILINE DISPOSABLE

CleanGuard[®]
BIANCO - BLANC - WHITE - WEISS

18034058107410

CleanGuard[®]
BIANCO - BLANC - WHITE - WEISS

- CAMICE LACCI AL COLLO E VITA - MAGLINA AI POLSI
 - BLOUSE LACETS AU COU ET TAILLE - POIGNETS TRICOT
 - GOWN LACETS AT NECK AND WAIST - JERSEY WRISTS
 - KITTEL BAENDE AN DEN KRAGEN UND TAILLE - JERSEY HANDGELENKE
 SIZE 3/L

STERILE BETA

●

RED / ORANGE COLOR = IRRADIATED
UNI EN ISO 11140-1

COD.S5402053 - 25 PZ.

<p>ART. I.D. 1340</p> <p>Lotto Ch.-B. Batch no. No. de lot</p>	<p>Data ster. Steril.-Dat. Steril. date</p>	<p>Scadenza Expiry Peremption Verfall</p>
---	---	---

Contenuto sterile, fino a che la confezione resta intatta. Monouso.
 Inhalt steril, solange Packung unversehrt. Für einmaligen Gebrauch.
 Contenido estéril, siempre que el envase sea intacto, para sólo uso.

INDUTEX S.p.A.
Via San Francesco n°8/10 - 20011 CORBETTA - MI
Tel. 02/972.387.11 Fax 02/972.387.99

Emissione: RS

Verifica: PRO

Verifica: CQ

Approv: AU